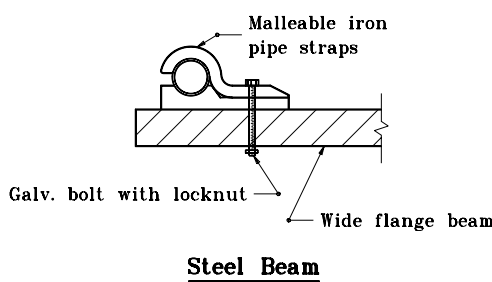


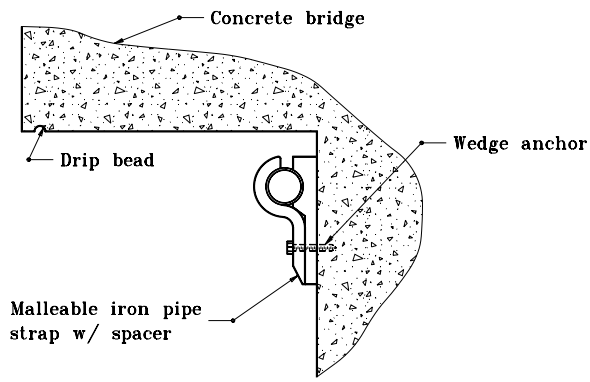
GENERAL NOTES

① If feasible, conduit to be installed on coping of bent; if not, install as shown on end of bridge not facing traffic.

ELEVATION



DETAIL A

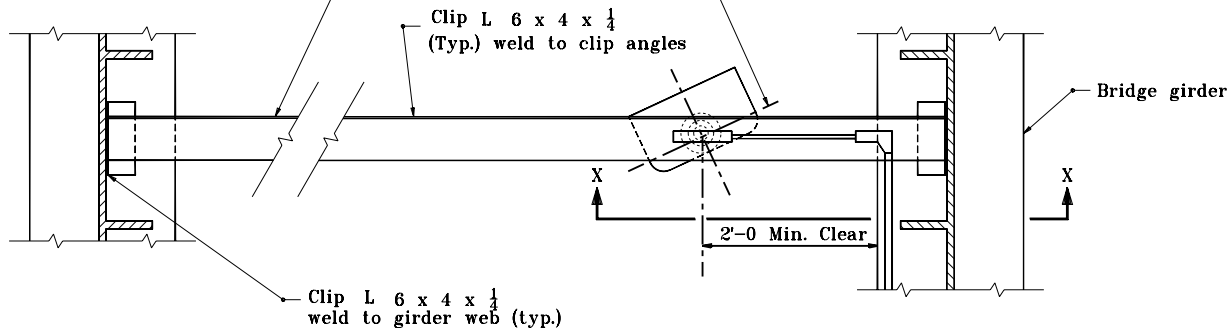


Concrete Beam

INDIANA DEPARTMENT OF TRANSPORTATION	
UNDERPASS LIGHTING DETAILS	
MARCH 1995	
STANDARD DRAWING NO. E 807-LTUP-01	
DETAILS PLACED IN THIS FORMAT	7-27-99
/s/ Anthony L. Uremovich	7-27-99
DESIGN STANDARDS ENGINEER	DATE
/s/ Firooz Zandi	7-27-99
CHIEF HIGHWAY ENGINEER	DATE
DESIGN STANDARDS ENGINEER	ORIGINALLY APPROVED 3-01-95

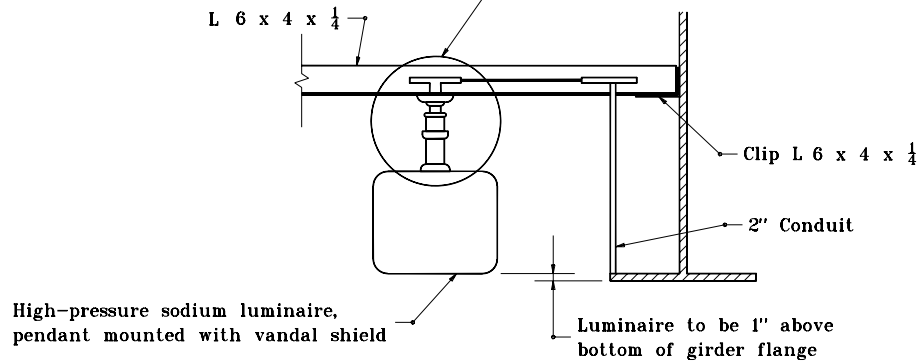
Skew angle where necessary to clear web stiffeners and cross frames

Locate lateral ϕ of luminaire over edge of roadway as noted on plans



PLAN VIEW

Refer to underpass luminaire pendant hanger detail



SECTION X-X

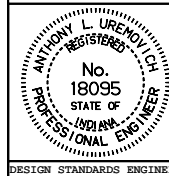
INDIANA DEPARTMENT OF TRANSPORTATION

UNDERPASS LIGHTING DETAILS

PENDANT MOUNTING

JANUARY 2000

STANDARD DRAWING NO. **E 807-LTUP-02**

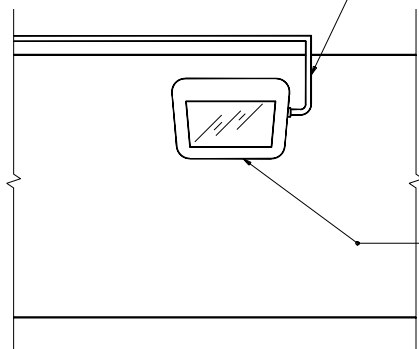


/s/ Anthony L. Uremovich 1-03-00
DESIGN STANDARDS ENGINEER DATE

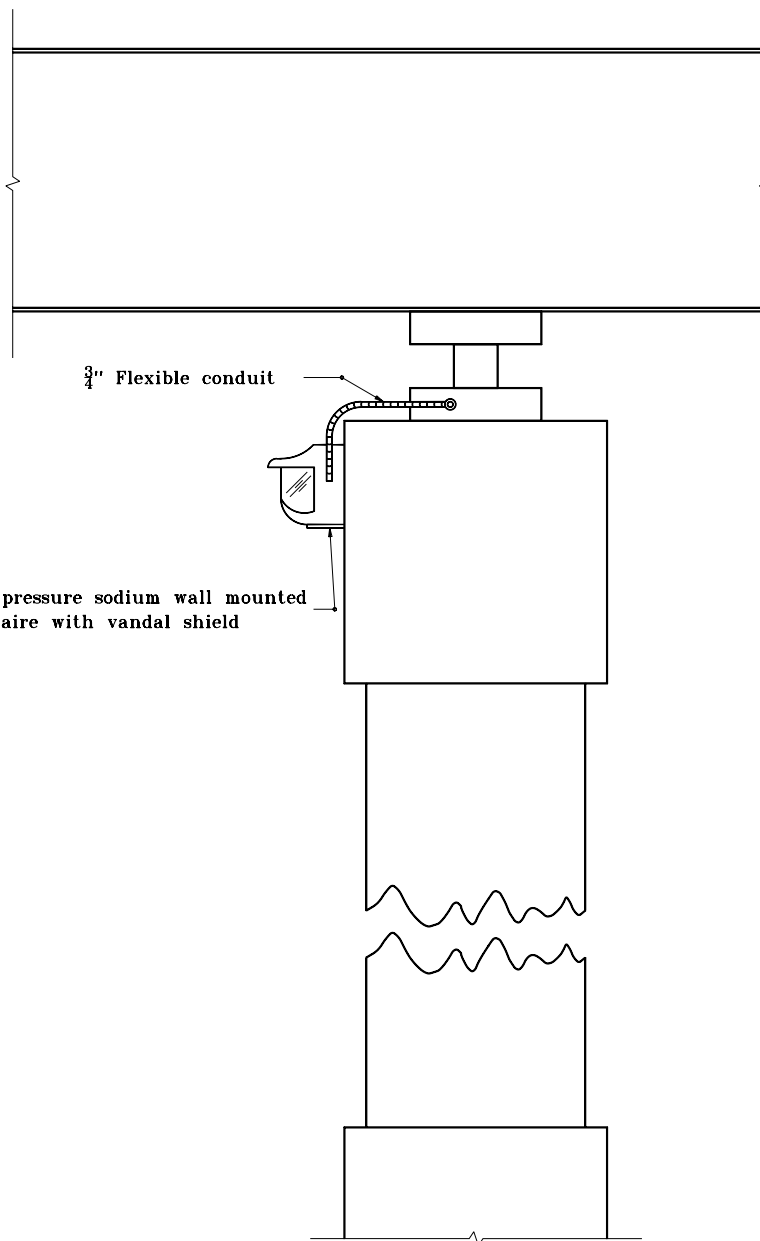
/s/ Firooz Zandi 1-03-00
CHIEF HIGHWAY ENGINEER DATE

DESIGN STANDARDS ENGINEER

Conduit shall enter underpass luminaire from the side, except for pendant mounting

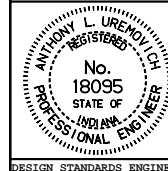


High pressure sodium wall mounted luminaire with vandal shield



INDIANA DEPARTMENT OF TRANSPORTATION
UNDERPASS LIGHTING DETAILS
WALL MOUNTING
 MARCH 1995

STANDARD DRAWING NO. **E 807-LTUP-03**



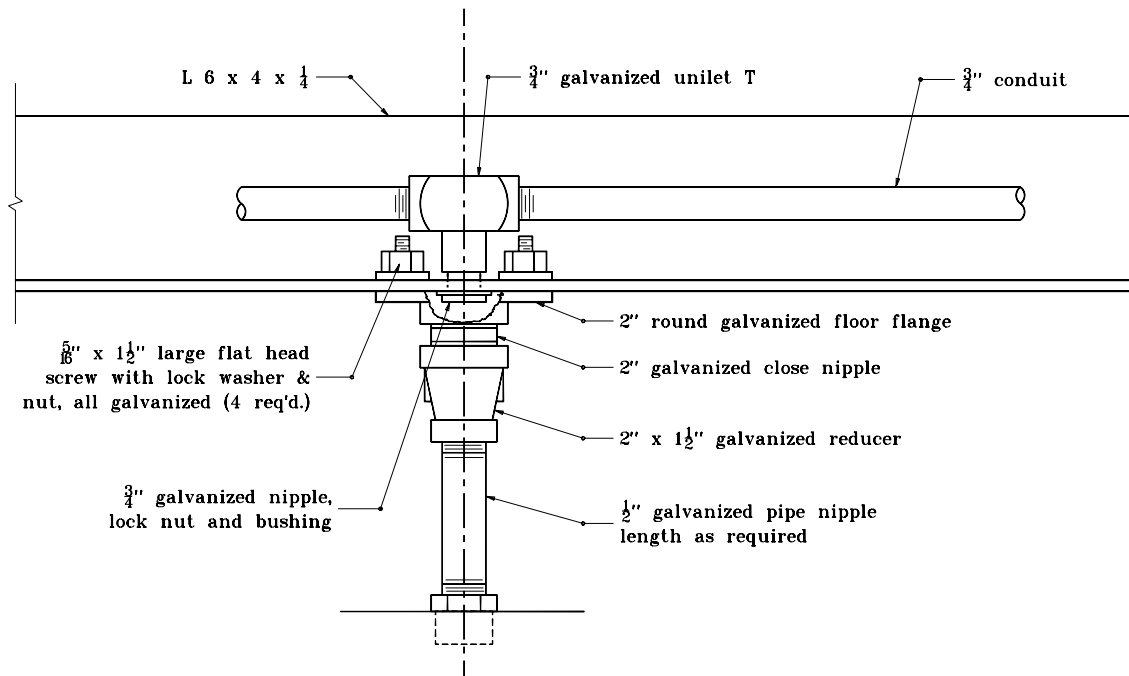
DETAILS PLACED IN THIS FORMAT 7-27-99

/s/ Anthony L. Uremovich 7-27-99
 DESIGN STANDARDS ENGINEER DATE

/s/ Firooz Zandi 7-27-99
 CHIEF HIGHWAY ENGINEER DATE

DESIGN STANDARDS ENGINEER

ORIGINALLY APPROVED 3-01-95



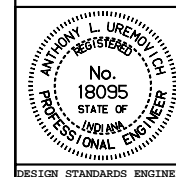
INDIANA DEPARTMENT OF TRANSPORTATION

UNDERPASS LIGHTING DETAILS

PENDANT HANGER DETAIL

JANUARY 2000

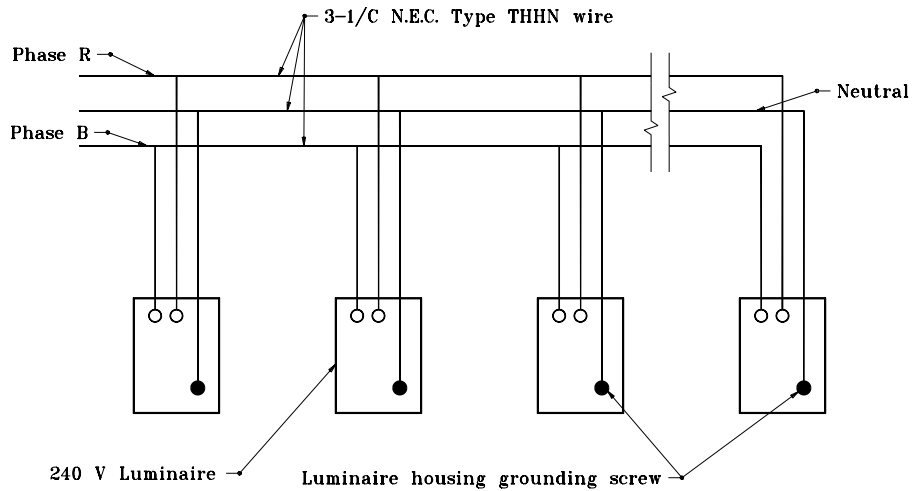
STANDARD DRAWING NO. **E 807-LTUP-04**



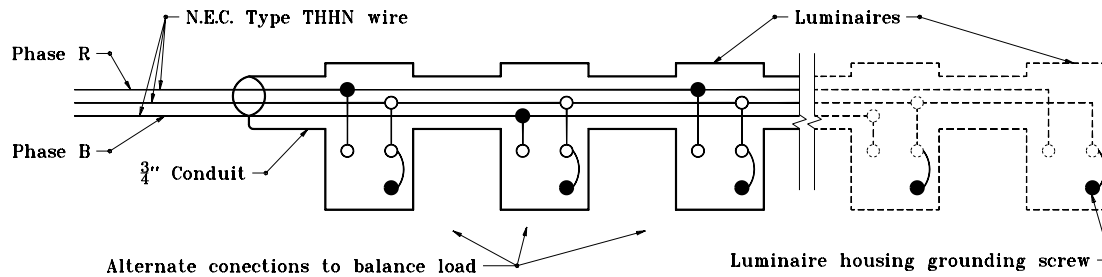
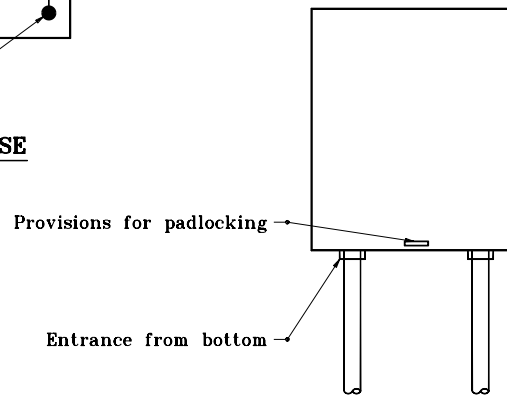
/s/ Anthony L. Uremovich 1-03-00
DESIGN STANDARDS ENGINEER DATE

/s/ Firooz Zandi 1-03-00
CHIEF HIGHWAY ENGINEER DATE

DESIGN STANDARDS ENGINEER



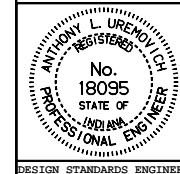
FOR CONNECTION TO 240 V PHASE TO PHASE



FOR CONNECTION TO 120 V OR 240 V PHASE TO NEUTRAL

INDIANA DEPARTMENT OF TRANSPORTATION
UNDERPASS LIGHTING DETAILS
LUMINAIRE WIRING DETAIL
 JANUARY 2000

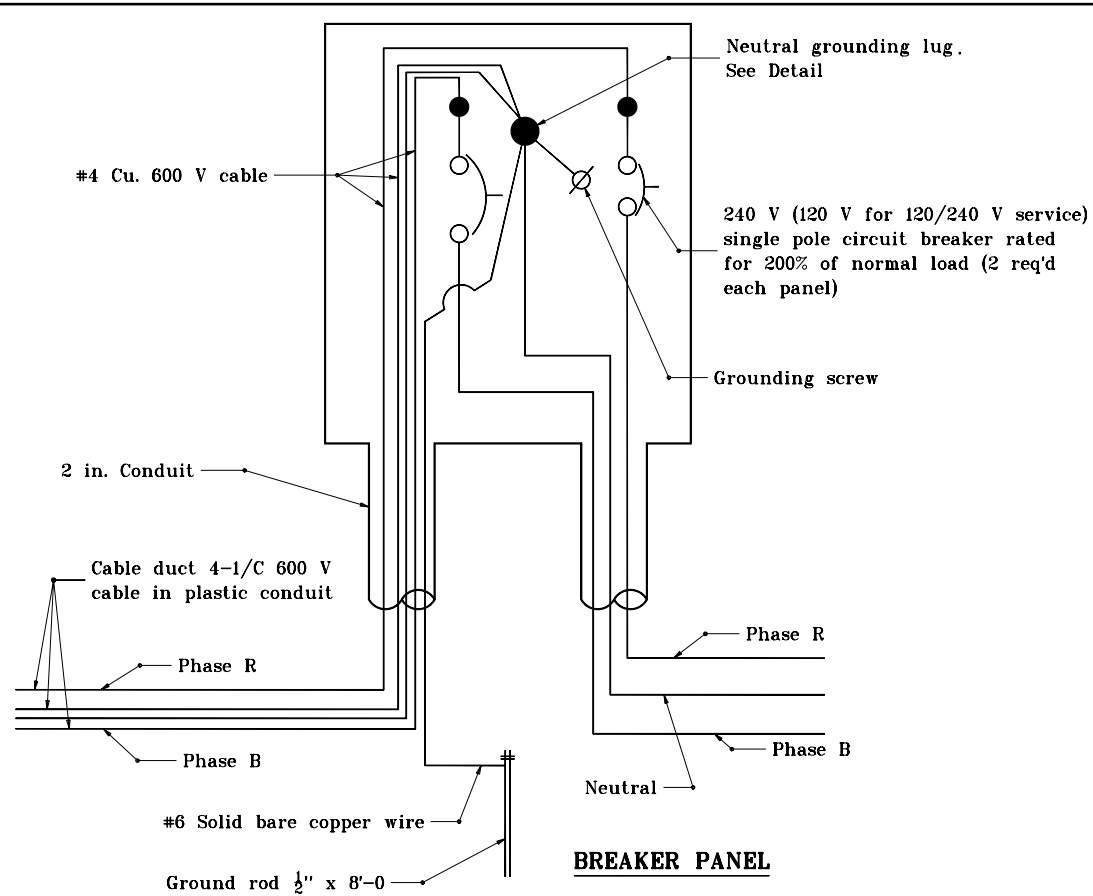
STANDARD DRAWING NO. **E 807-LTUP-05**



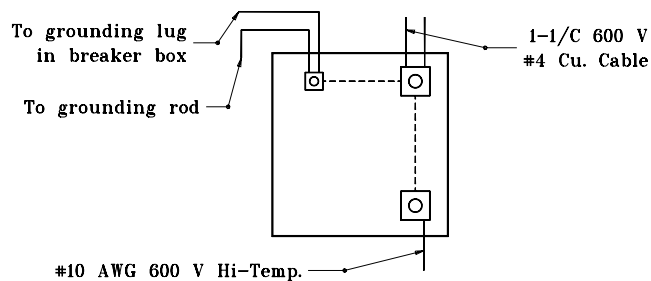
/s/ Anthony L. Uremovich 1-03-00
 DESIGN STANDARDS ENGINEER DATE

/s/ Firooz Zandi 1-03-00
 CHIEF HIGHWAY ENGINEER DATE

DESIGN STANDARDS ENGINEER



BREAKER PANEL



NEUTRAL GROUNDING LUG DETAIL

GENERAL NOTES

1. For all luminaire wiring from breaker panel, the last luminaire shall be #10 AWG stranded copper, 600 V.
2. Where sign illumination and underpass illumination are to be installed on the same structure, both sign and underpass luminaires may be connected to the same circuit.

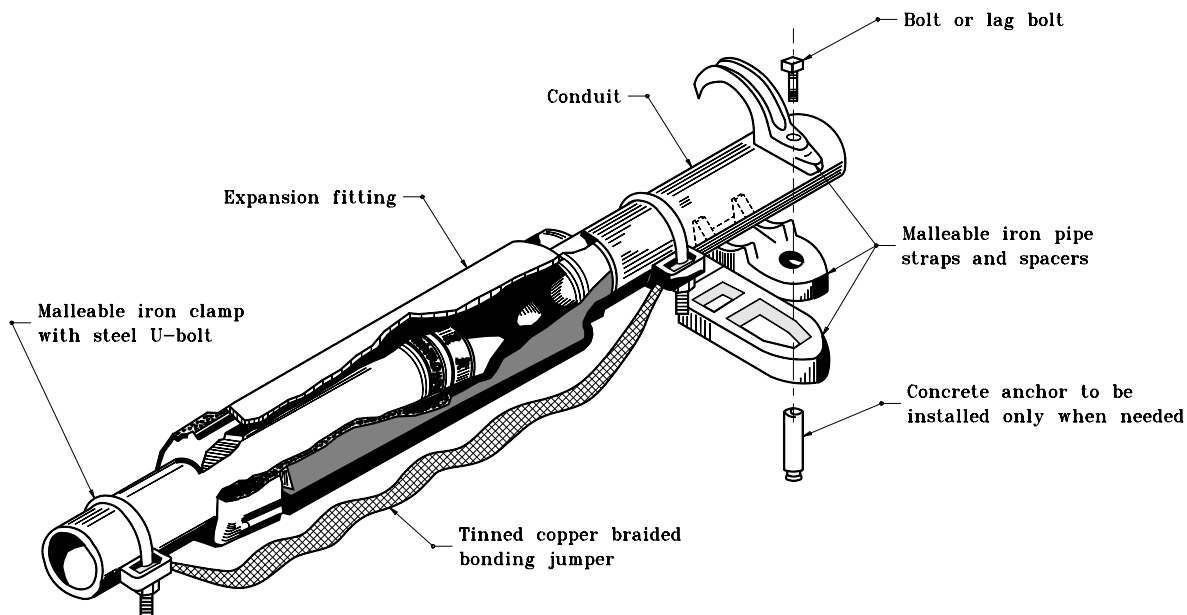
INDIANA DEPARTMENT OF TRANSPORTATION
UNDERPASS LIGHTING DETAILS
CIRCUIT BREAKER WIRING DETAIL
 MARCH 1995

STANDARD DRAWING NO. **E 807-LTUP-06**

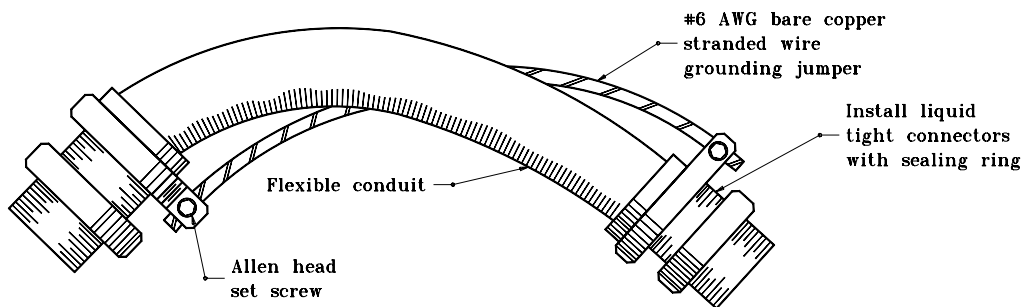
	DETAILS PLACED IN THIS FORMAT	11-15-99
	/s/ Anthony L. Uremovich	11-15-99
	DESIGN STANDARDS ENGINEER	DATE
	/s/ Firooz Zandi	11-15-99
	CHIEF HIGHWAY ENGINEER	DATE
DESIGN STANDARDS ENGINEER	ORIGINALLY APPROVED	3-01-95

GENERAL NOTES

1. Malleable iron pipe straps to be installed immediately before and after the installed expansion fitting, to support expansion fitting and conduit.
2. Spacers shall be provided underneath the pipe strap to allow proper clearance between the bridge structure and the fitting.
3. Grounding jumper shall not be wrapped around flexible conduit, but slightly draped on one side.



TYPICAL 3/4 IN. AND 2 IN. DIAMETER EXPANSION FITTING WITH GROUNDING JUMPER



TYPICAL 3/4 IN. AND 2 IN. DIAMETER FLEXIBLE CONDUIT WITH GROUNDING JUMPER

INDIANA DEPARTMENT OF TRANSPORTATION	
UNDERPASS LIGHTING DETAILS	
MARCH 1995	
STANDARD DRAWING NO. E 807-LTUP-07	
DETAILS PLACED IN THIS FORMAT 11-15-99	
	/s/ Anthony L. Uremovich 11-15-99 DESIGN STANDARDS ENGINEER DATE
	/s/ Firooz Zandi 11-15-99 CHIEF HIGHWAY ENGINEER DATE
	ORIGINALLY APPROVED 3-01-95